

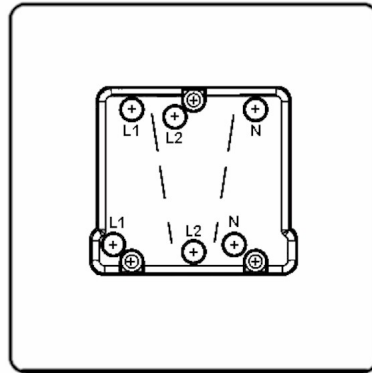
## 7G24TPWH-W

### Hartland G2 | HARTLAND G2 RANGE | Rocker Switches

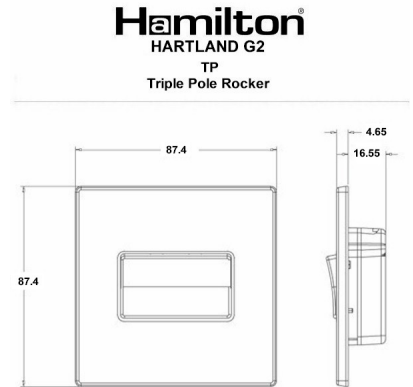
Item Image



Wiring



Dimensions



Primary Range	Hartland G2
Insert Type	1 gang 10A Triple Pole Rocker
Insert Colour	White/White
EAN13 Barcode	5051164002565
Commodity Code	85363010
Luckins TSI	407520963
Dimensions(Nominal)	Single: Height = 87.4mm Width = 87.4mm Depth = 4.65mm
Switched Poles	Triple
Current Rating	10A
Voltage	220/250V AC
Maximum Load	10 Amp resistive
Mains Frequency	50Hz
IP Rating	IP2XD
Contact Gap Minimum	3mm
Terminal Capacity 1	5 x1mm <sup>2</sup>
Terminal Capacity 2	4x1.5mm <sup>2</sup>
Terminal Capacity 3	1x2.5mm <sup>2</sup>
Terminal Capacity 4	1x4mm <sup>2</sup> Multi-strand
Terminal Capacity 5	1x6mm <sup>2</sup>
Earth Terminal Capacity 1	5x1mm <sup>2</sup>
Earth Terminal Capacity 2	4x1.5mm <sup>2</sup>
Earth Terminal Capacity 3	3 x2.5mm <sup>2</sup>
Earth Terminal Capacity 4	1x4mm <sup>2</sup> Multi-strand
Earth Terminal Capacity 5	1x6mm <sup>2</sup>
Product Class 1	Must be earthed
Ambient Operating Temperature	-5° to +40°C
Recommended Location	Internal Use Only
Maximum Installation Altitude	2000m
Standard/Approval	BS EN 60669-1

## 7G24TPWH-W

### Hartland G2 | HARTLAND G2 RANGE | Rocker Switches

All products listed conform to current British or European standard and the product information is correct at the time of going to press.

All accessories are manufactured under an accredited BS EN ISO 9001 : 2015 Quality Management System.

It is the policy of the company to improve products as part of our development programme. Therefore, we reserve the right to alter designs and dimensions without prior notice.

Illustrations and diagrams are reproduced within the limitations of reproduction and printing process and are not binding.

Due to manufacturing processes we cannot guarantee an exact colour match and shadings of of certain finishes.

Correct as at 28 April 2022 03:57 PM  
E&OE

R Hamilton & Co Ltd, Unit 10 Carrick Business Centre, 4-5 Bonville Road, Brislington, Bristol, BS4 5NZ

T: +44 (0)1747 860088

E: [info@hamilton-litestat.com](mailto:info@hamilton-litestat.com) [www.hamilton-litestat.com](http://www.hamilton-litestat.com)

Registered Office 1 Rushmills, Bedford Road, Northampton NN4 7YB

Registered in London No. 941624 VAT Registration No. 222 6607 84



7G24TPWH-W - Hartland G2 Satin Steel 1 gang 10A Triple Pole Rocker White/White