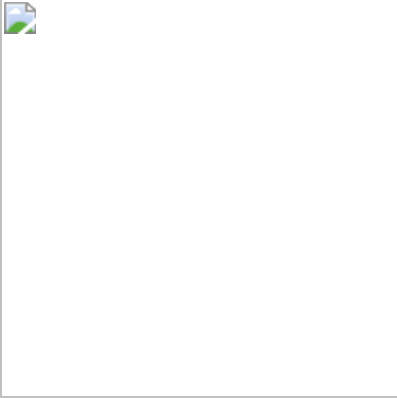


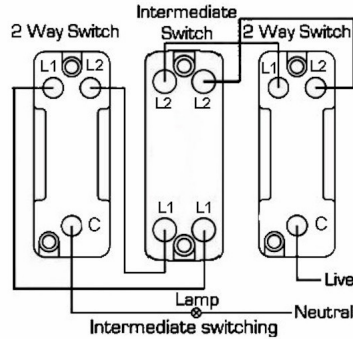
7G27R31BC-QG

Hartland G2 | HARTLAND G2 RANGE | Rocker Switches

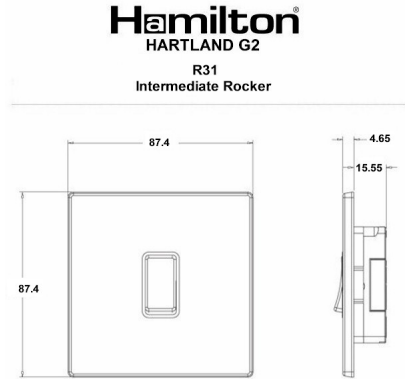
Item Image



Wiring



Dimensions



| | |
|-------------------------------|---|
| Primary Range | Hartland G2 |
| Insert Type | 1 gang 10AX Intermediate Rocker |
| Insert Colour | Bright Chrome/Quartz Grey |
| EAN13 Barcode | 5051164001605 |
| Commodity Code | 85363010 |
| Luckins TSI | 407520374 |
| Dimensions(Nominal) | Single: Height = 87.4mm Width = 87.4mm Depth = 4.65mm |
| Switched Poles | Single |
| Current Rating | 10AX |
| Voltage | 220/250V AC |
| Maximum Load | 10 Amp inductive |
| Mains Frequency | 50Hz |
| IP Rating | IP2XD |
| Contact Gap Minimum | 3mm |
| Terminal Capacity 1 | 5x1mm ² |
| Terminal Capacity 2 | 4x1.5mm ² |
| Terminal Capacity 3 | 1x2.5mm ² |
| Terminal Capacity 4 | 1x4mm ² Multi-strand |
| Terminal Capacity 5 | 1x6mm ² |
| Earth Terminal Capacity 1 | 5x1mm ² |
| Earth Terminal Capacity 2 | 4x1.5mm ² |
| Earth Terminal Capacity 3 | 3x2.5mm ² |
| Earth Terminal Capacity 4 | 1x4mm ² Multi-strand |
| Earth Terminal Capacity 5 | 1x6mm ² |
| Product Class 1 | Must be earthed |
| Ambient Operating Temperature | -5° to +40°C |
| Recommended Location | Internal Use Only |
| Maximum Installation Altitude | 2000m |
| Standard/Approval | BS EN 60669-1 |

7G27R31BC-QG

Hartland G2 | HARTLAND G2 RANGE | Rocker Switches

| | | |
|---|--|--|
| <p>All products listed conform to current British or European standard and the product information is correct at the time of going to press.</p> | <p>All accessories are manufactured under an accredited BS EN ISO 9001 : 2015 Quality Management System.</p> | <p>It is the policy of the company to improve products as part of our development programme. Therefore, we reserve the right to alter designs and dimensions without prior notice.</p> |
| <p>Illustrations and diagrams are reproduced within the limitations of reproduction and printing process and are not binding.</p> | <p>Due to manufacturing processes we cannot guarantee an exact colour match and shadings of of certain finishes.</p> | <p>Correct as at 28 April 2022 01:24 PM E&OE</p> |
| <p>R Hamilton & Co Ltd, Unit 10 Carrick Business Centre, 4-5 Bonville Road, Brislington, Bristol, BS4 5NZ T: +44 (0)1747 860088 E: info@hamilton-litestat.com www.hamilton-litestat.com Registered Office 1 Rushmills, Bedford Road, Northampton NN4 7YB Registered in London No. 941624 VAT Registration No. 222 6607 84</p> | |  |
| <p>7G27R31BC-QG - Hartland G2 Bright Chrome 1 gang 10AX Intermediate Rocker Bright Chrome/Quartz Grey</p> | | |