

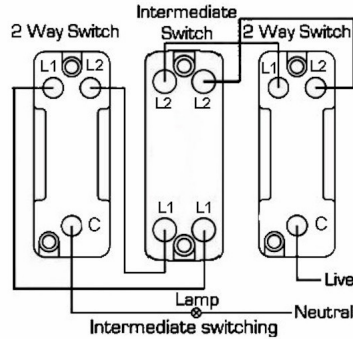
## 7G28R32BK-B

### Hartland G2 | HARTLAND G2 RANGE | Rocker Switches

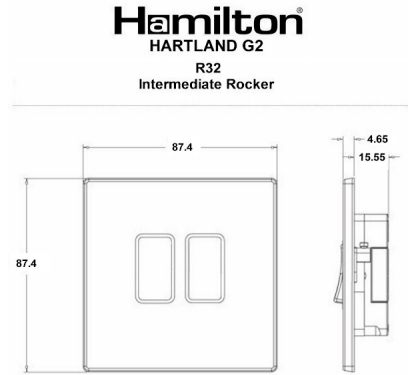
Item Image



Wiring



Dimensions



|                               |   |
|-------------------------------|---|
| Primary Range                 | Hartland G2   |
| Insert Type                   | 2 gang 10AX Intermediate Rocker                       |
| Insert Colour                 | Black Nickel/Black                                    |
| EAN13 Barcode                 | 5051164005603   |
| Commodity Code                | 85363010  |
| Luckins TSI                   | 407519518   |
| Dimensions(Nominal)           | Single: Height = 87.4mm Width = 87.4mm Depth = 4.65mm |
| Switched Poles                | Single  |
| Current Rating                | 10AX  |
| Voltage                       | 220/250V AC   |
| Maximum Load                  | 10 Amp inductive                                      |
| Mains Frequency               | 50Hz  |
| IP Rating                     | IP2XD   |
| Contact Gap Minimum           | 3mm   |
| Terminal Capacity 1           | 5x1mm <sup>2</sup>                                    |
| Terminal Capacity 2           | 4x1.5mm <sup>2</sup>                                  |
| Terminal Capacity 3           | 1x2.5mm <sup>2</sup>                                  |
| Terminal Capacity 4           | 1x4mm <sup>2</sup> Multi-strand                       |
| Terminal Capacity 5           | 1x6mm <sup>2</sup>                                    |
| Earth Terminal Capacity 1     | 5x1mm <sup>2</sup>                                    |
| Earth Terminal Capacity 2     | 4x1.5mm <sup>2</sup>                                  |
| Earth Terminal Capacity 3     | 3x2.5mm <sup>2</sup>                                  |
| Earth Terminal Capacity 4     | 1x4mm <sup>2</sup> Multi-strand                       |
| Earth Terminal Capacity 5     | 1x6mm <sup>2</sup>                                    |
| Product Class 1               | Must be earthed                                       |
| Ambient Operating Temperature | -5° to +40°C  |
| Recommended Location          | Internal Use Only                                     |
| Maximum Installation Altitude | 2000m   |
| Standard/Approval             | BS EN 60669-1   |

## 7G28R32BK-B

### Hartland G2 | HARTLAND G2 RANGE | Rocker Switches

|   |  |  |
|---|--|--|
| <p>All products listed conform to current British or European standard and the product information is correct at the time of going to press.</p>  | <p>All accessories are manufactured under an accredited BS EN ISO 9001 : 2015 Quality Management System.</p>         | <p>It is the policy of the company to improve products as part of our development programme. Therefore, we reserve the right to alter designs and dimensions without prior notice.</p> |
| <p>Illustrations and diagrams are reproduced within the limitations of reproduction and printing process and are not binding.</p>   | <p>Due to manufacturing processes we cannot guarantee an exact colour match and shadings of of certain finishes.</p> | <p>Correct as at 28 April 2022 10:26 AM<br/>E&amp;OE</p>   |
| <p>R Hamilton &amp; Co Ltd, Unit 10 Carrick Business Centre, 4-5 Bonville Road, Brislington, Bristol, BS4 5NZ<br/>T: +44 (0)1747 860088<br/>E: info@hamilton-litestat.com www.hamilton-litestat.com<br/>Registered Office 1 Rushmills, Bedford Road, Northampton NN4 7YB<br/>Registered in London No. 941624 VAT Registration No. 222 6607 84</p> |  |   |
| <p>7G28R32BK-B - Hartland G2 Black Nickel 2 gang 10AX Intermediate Rocker Black Nickel/Black</p>  |  |  |