

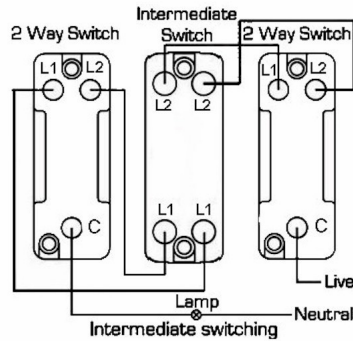
## 7G2AT31

### Hartland G2 | HARTLAND G2 RANGE | Toggle Switches

Item Image

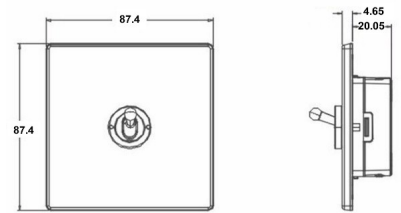


Wiring



Dimensions

**Hamilton®**  
HARTLAND G2  
T31  
Intermediate Toggle



Primary Range	Hartland G2
Insert Type	1 gang 20AX Intermediate Toggle
Insert Colour	Anthra Gray
EAN13 Barcode	5051164028992
Commodity Code	85363030
Luckins TSI	433711791
Dimensions(Nominal)	Single: Height = 87.4mm Width = 87.4mm Depth = 4.65mm
Switched Poles	Single
Current Rating	20AX
Voltage	220/250V AC
Maximum Load	20 Amp inductive
Mains Frequency	50Hz
IP Rating	IP2XD
Contact Gap Minimum	3mm
Terminal Capacity 1	5x1mm <sup>2</sup>
Terminal Capacity 2	4x1.5mm <sup>2</sup>
Terminal Capacity 3	2x2.5mm <sup>2</sup>
Terminal Capacity 4	2x4mm <sup>2</sup> Multi-strand
Terminal Capacity 5	1x6mm <sup>2</sup>
Earth Terminal Capacity 1	6x1mm <sup>2</sup>
Earth Terminal Capacity 2	5x1.5mm <sup>2</sup>
Earth Terminal Capacity 3	3x2.5mm <sup>2</sup>
Earth Terminal Capacity 4	2x4mm <sup>2</sup> Multi-strand
Earth Terminal Capacity 5	1x6mm <sup>2</sup>
Product Class 1	Must be earthed
Ambient Operating Temperature	-5° to +40°C
Recommended Location	Internal Use Only
Maximum Installation Altitude	2000m
Standard/Approval	BS EN 60669-1

## 7G2AT31

### Hartland G2 | HARTLAND G2 RANGE | Toggle Switches

<p>All products listed conform to current British or European standard and the product information is correct at the time of going to press.</p>	<p>All accessories are manufactured under an accredited BS EN ISO 9001 : 2015 Quality Management System.</p>	<p>It is the policy of the company to improve products as part of our development programme. Therefore, we reserve the right to alter designs and dimensions without prior notice.</p>
<p>Illustrations and diagrams are reproduced within the limitations of reproduction and printing process and are not binding.</p>	<p>Due to manufacturing processes we cannot guarantee an exact colour match and shadings of of certain finishes.</p>	<p>Correct as at 29 April 2022 02:49 PM E&amp;OE</p>
<p>R Hamilton &amp; Co Ltd, Unit 10 Carrick Business Centre, 4-5 Bonville Road, Brislington, Bristol, BS4 5NZ T: +44 (0)1747 860088 E: info@hamilton-litestat.com www.hamilton-litestat.com Registered Office 1 Rushmills, Bedford Road, Northampton NN4 7YB Registered in London No. 941624 VAT Registration No. 222 6607 84</p>		
<p>7G2AT31 - Hartland G2 Anthra Gray 1 gang 20AX Intermediate Toggle Anthra Gray</p>		