

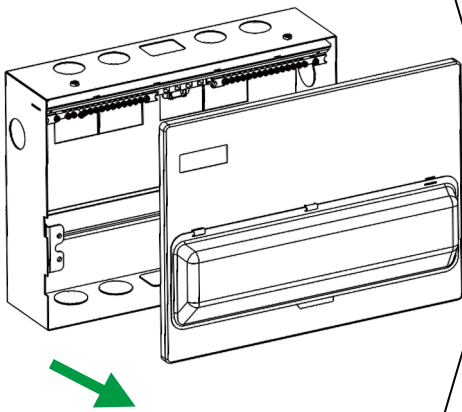
IMPORTANT

This product must be installed by an electrically skilled person, inspected and tested in accordance with the current IET Wiring Regulations (BS7671) and Building Regulations.

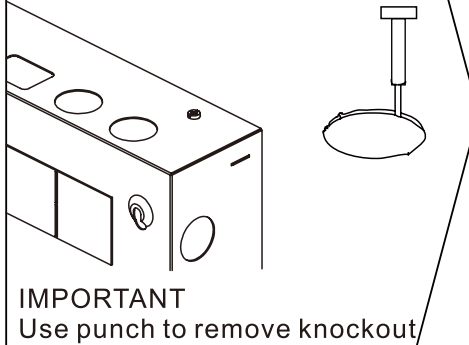
ENSURE THE ELECTRICAL SUPPLY IS DISCONNECTED BEFORE INSTALLATION OR MAINTENANCE

INSTALLATION STEPS

1. Remove front cover

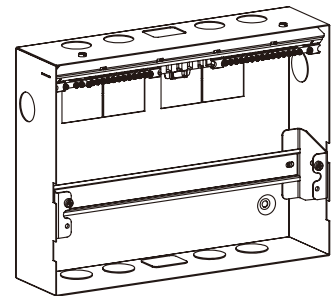


2. Remove the minimum amount of relevant knockouts for the incoming/outgoing cables.

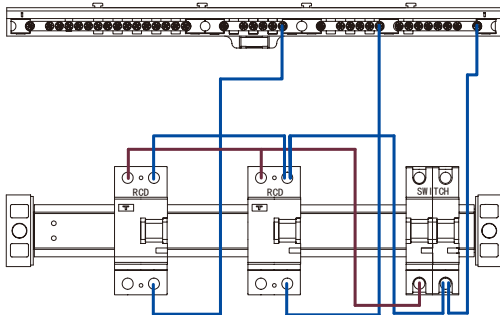


IMPORTANT
Use punch to remove knockout

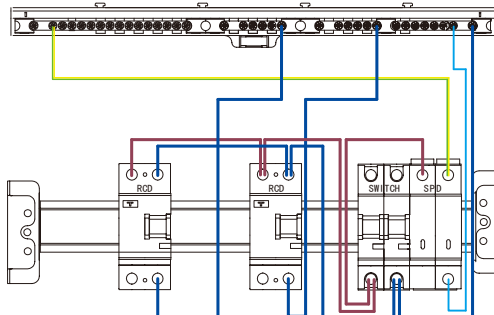
3. Secure unit to wall using minimum No.8 screws. Take care to avoid brick dust or other debris entering the device.



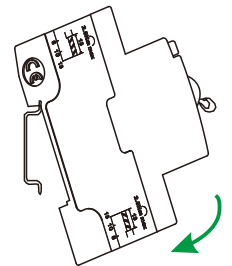
4. Wiring Diagram for Consumer Units without SPD.



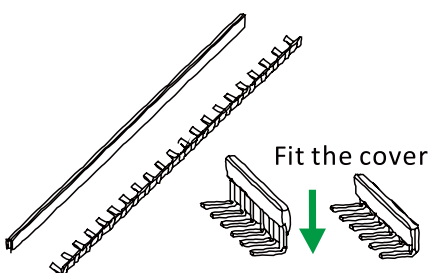
5. Wiring Diagram for Consumer Units with SPD.



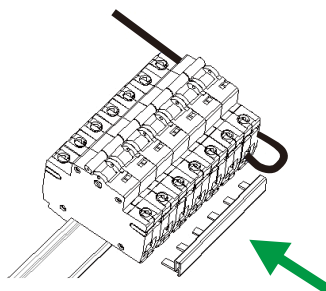
6. Fit the device by clipping onto DIN rail.



7. Cut busbar and cover as desired.



8. Fit the busbar and connect incoming/outgoing cables as required.



9. Ensure all the connections are fully tightened as specified below.

Connection	Nm
Terminal bar	1 - 1.7
Cover screw	1.5 - 2
Device terminals	2 - 2.5

9. Refit cover and fix the labels as required.
10. Test in accordance with the current edition of the IET regulations.

